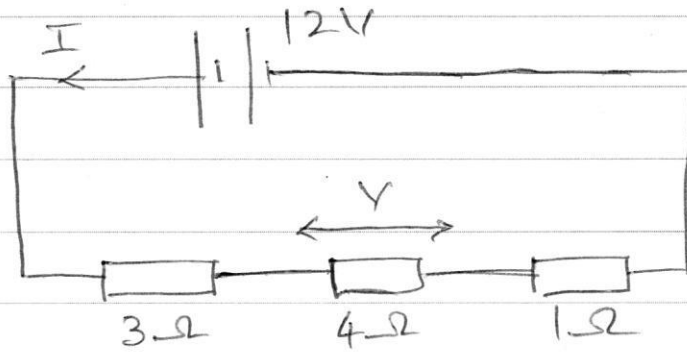


Simple Circuit Analysis - 2

Do not write in this margin

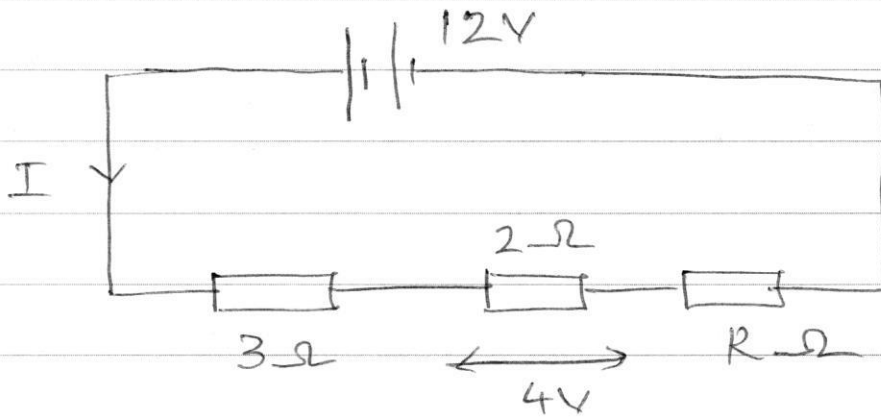
①



(a) Calculate I .

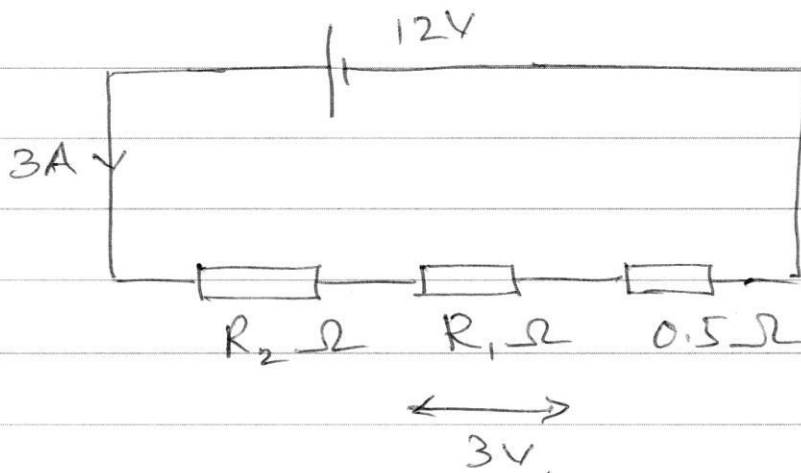
(b) Calculate V .

②



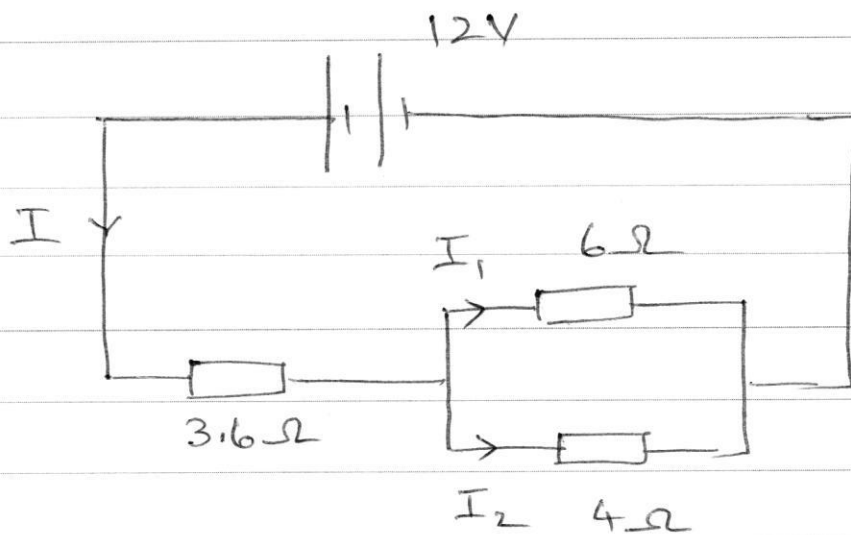
Find I and R .

③



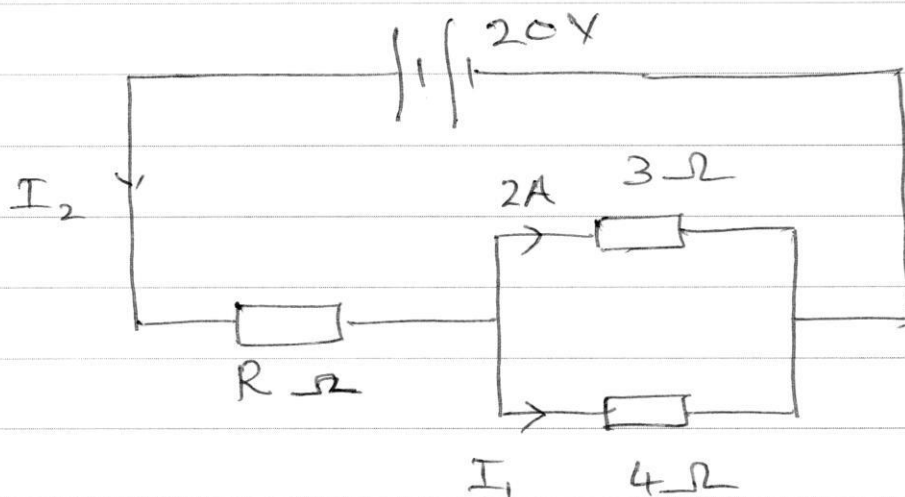
Find R_1 and R_2 .

4



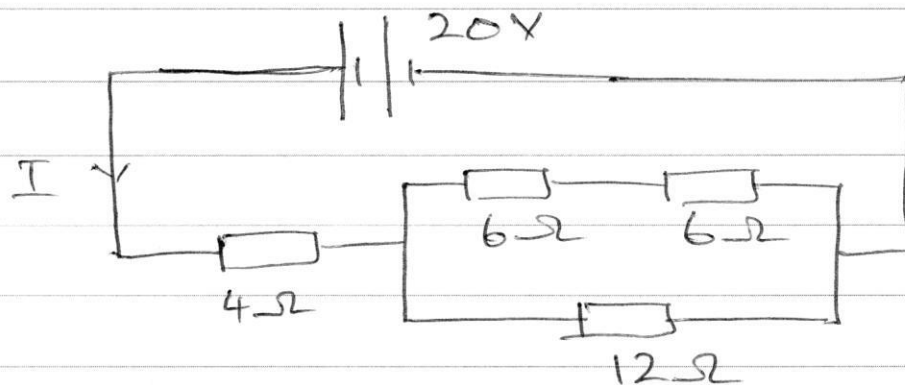
Find I , I_1 , and I_2 .

5



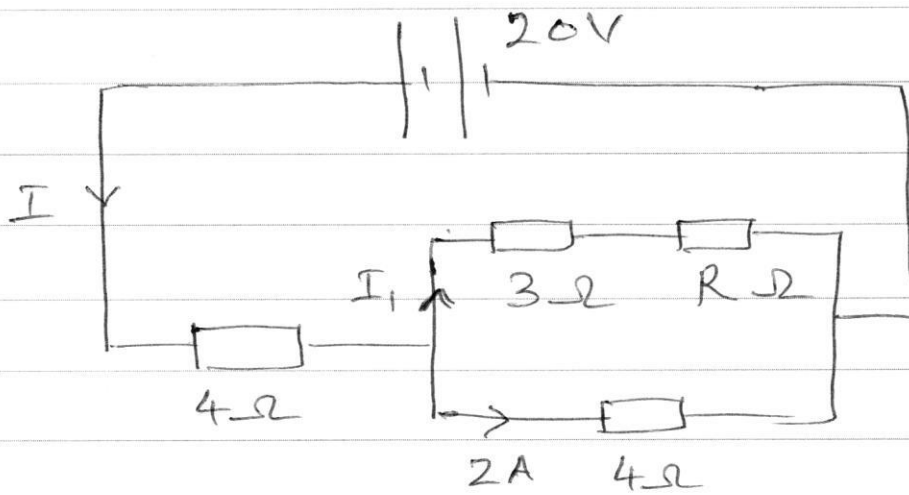
Find I_1 , I_2 and R .

6



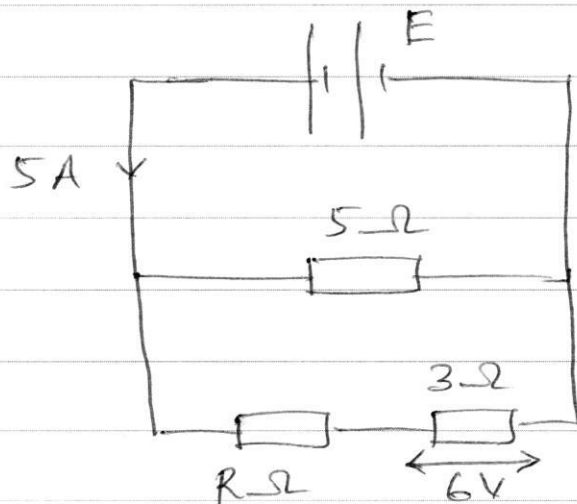
Find I .

7



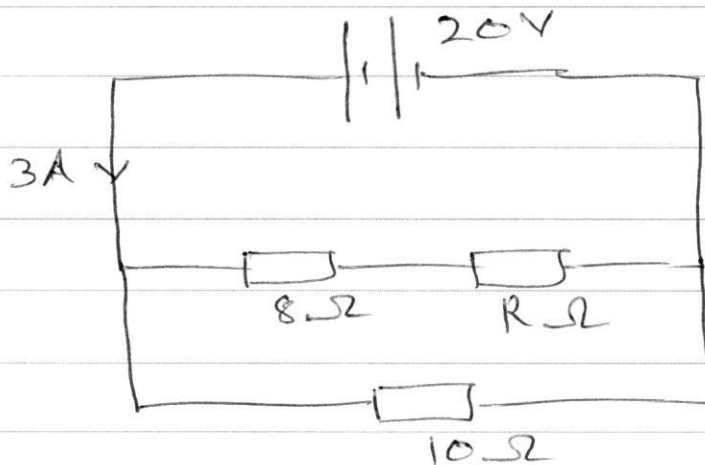
Find I , I_1 , and R .

8



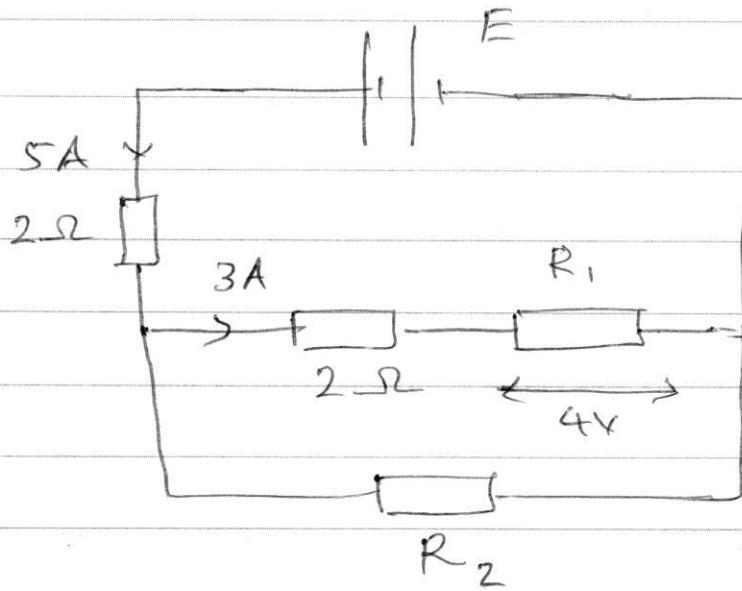
Find E and R .

9



Find R .

10



Find R_1 , R_2 and E .