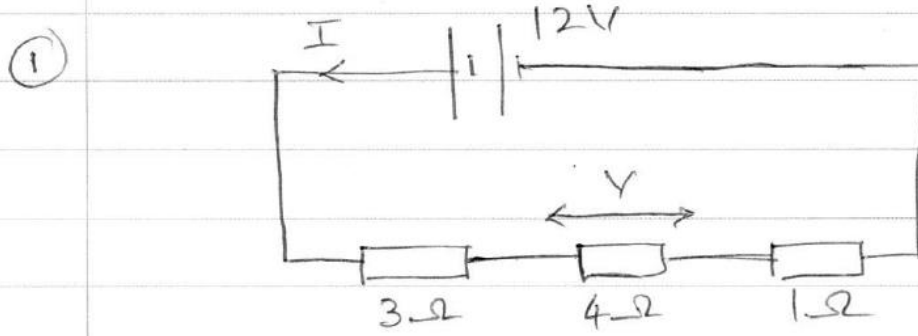
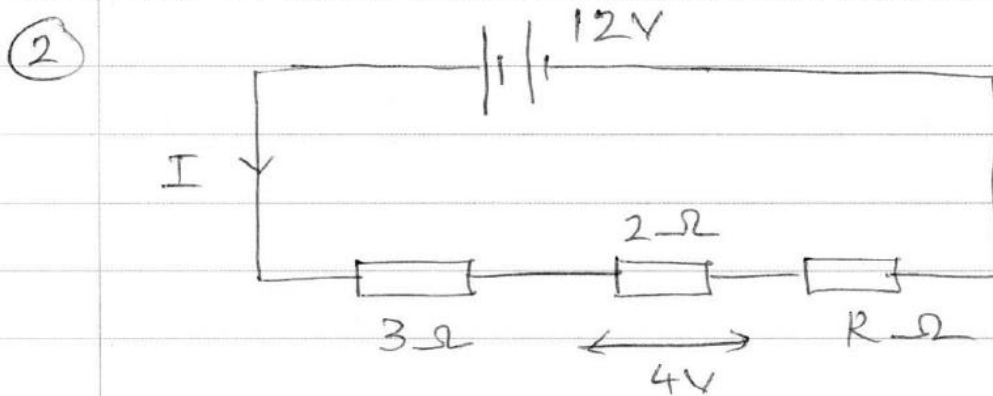


Circuit Analysis 2

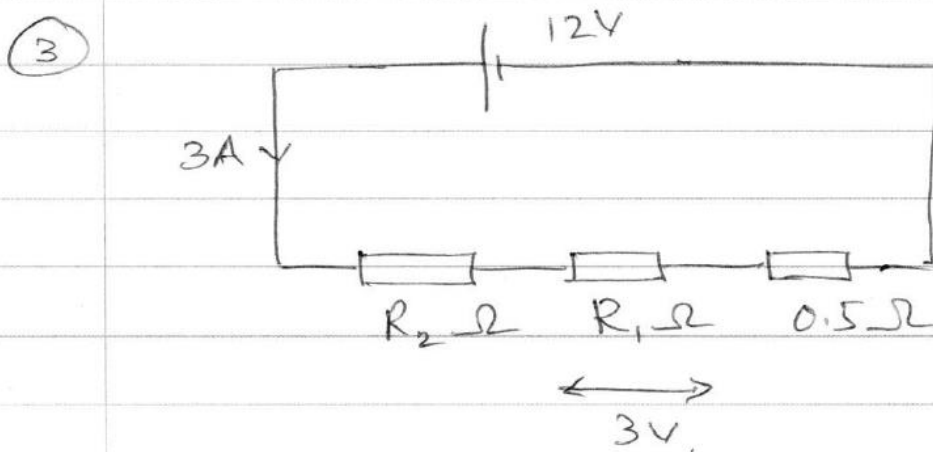


(a) Calculate  $I$ .

(b) Calculate  $V$ .

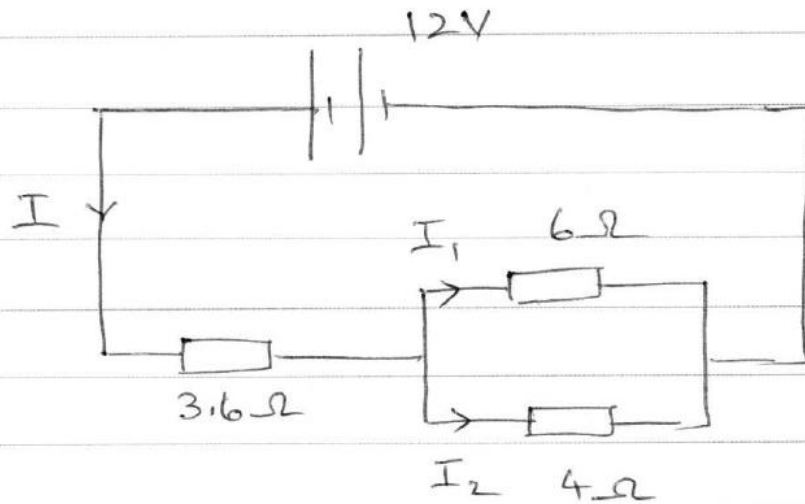


Find  $I$  and  $R$ .



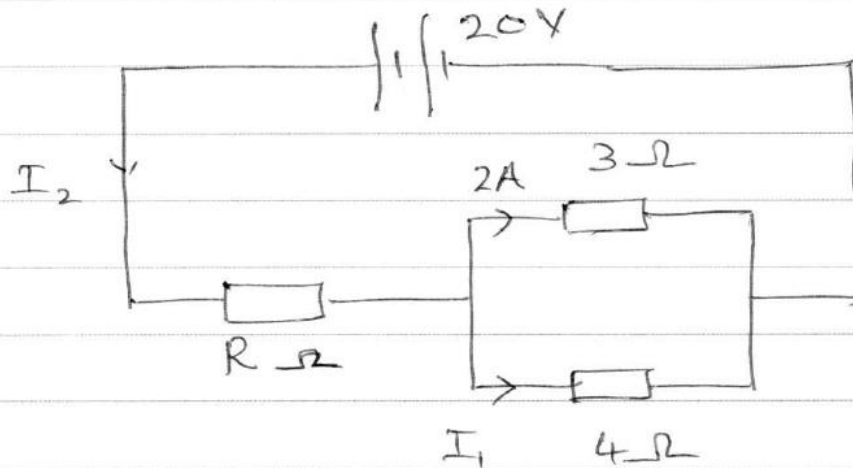
Find  $R_1$  and  $R_2$ .

④



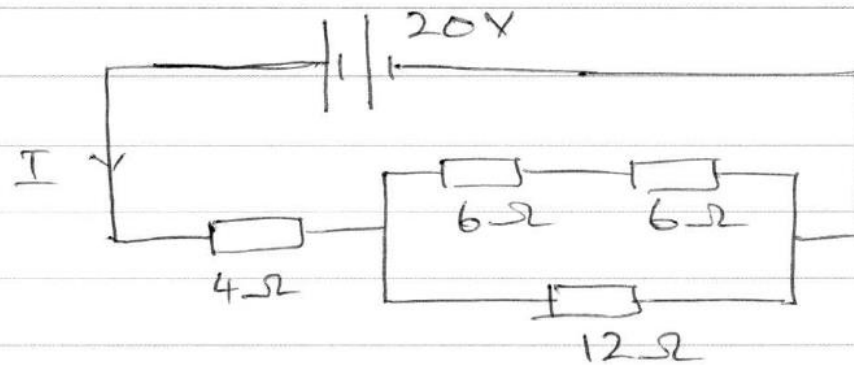
Find  $I$ ,  $I_1$ , and  $I_2$ .

⑤



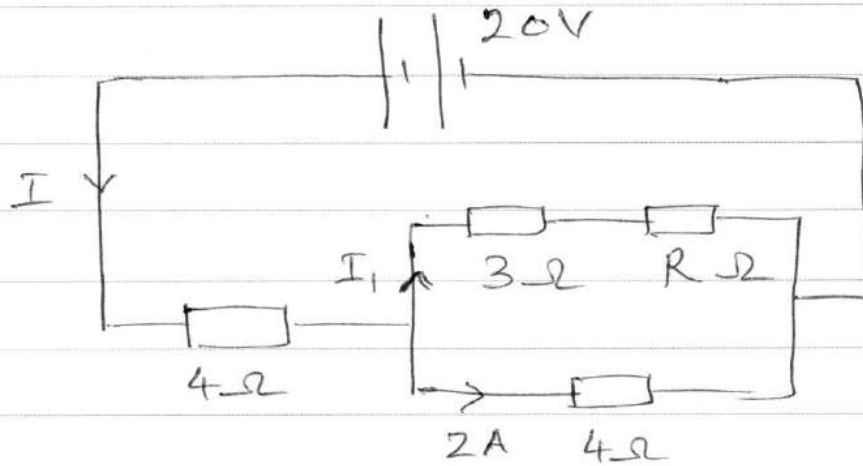
Find  $I_1$ ,  $I_2$  and  $R$ .

⑥



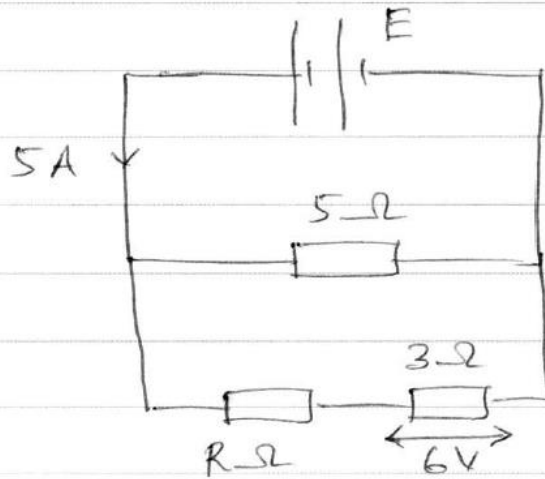
Find  $I$ .

7



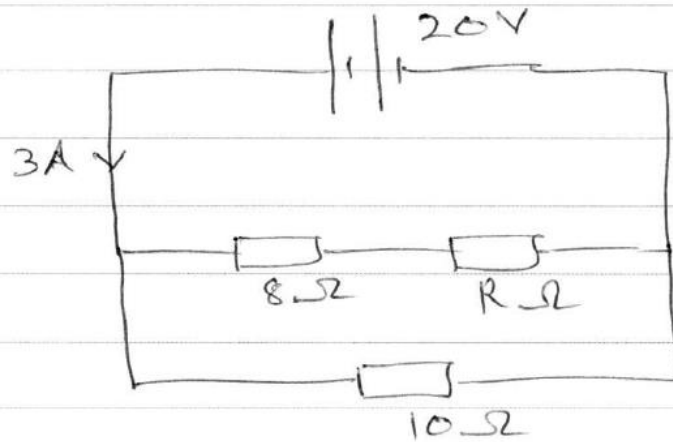
Find  $I$ ,  $I_1$ , and  $R$ .

8



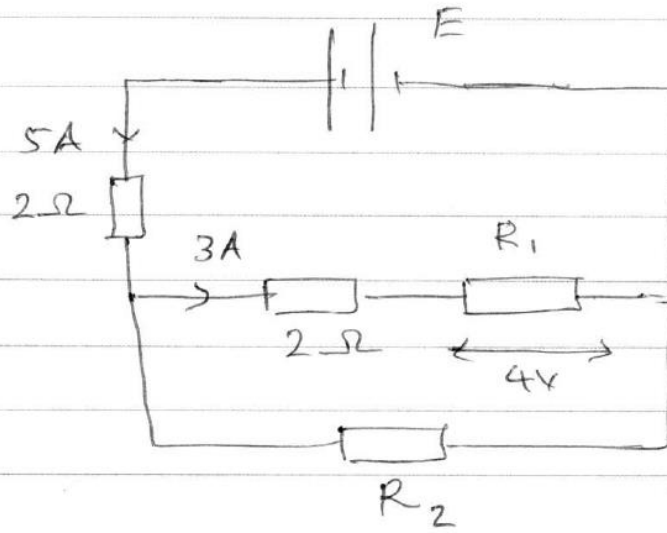
Find  $E$  and  $R$ .

9



Find  $R$ .

10



Find  $R_1$ ,  $R_2$  and  $E$ .